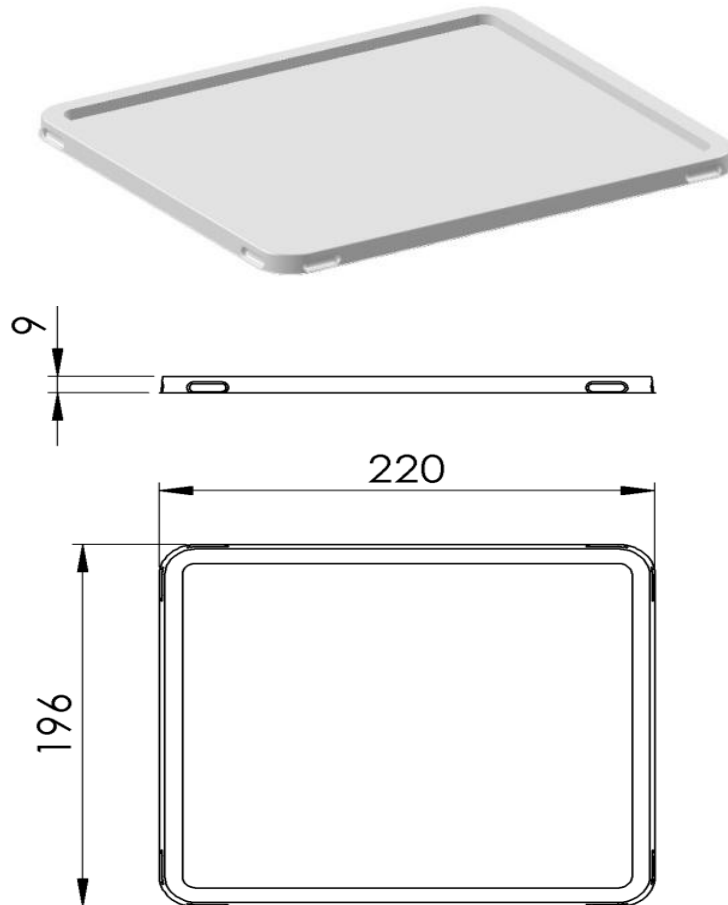


Technical Data Sheet

Tray

Tamar Lid



Packaging specifications

| | |
|------------------------|------|
| Type of pallet | Wood |
| Units per package | 400 |
| Package per pallet | 16 |
| Total units per pallet | 6400 |

Food contact approval In compliance with the EU 10/2011, Israel standard 5113, CFR 21 USA-FDA

* The given tech. data are Typical values only.

* It is the customer responsibility to check the suitability of the product to his production process.