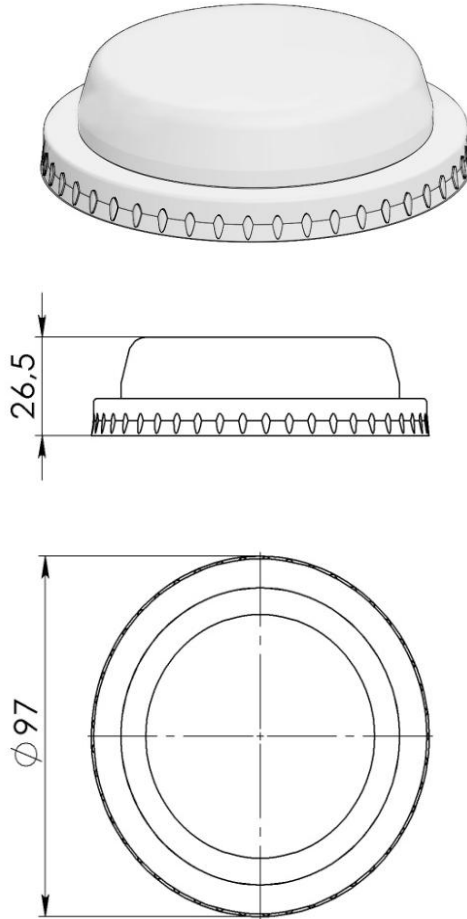


Technical Data Sheet

Tray Lid 95 Elavated



Packaging specifications

Type of pallet	Wood
Units per package	1920
Package per pallet	12
Total units per pallet	23040

Food contact approval In compliance with the EU 10/2011, Israel standard 5113, CFR 21 USA-FDA

* The given tech. data are Typical values only.

* It is the customer responsibility to check the suitability of the product to his production process.